



G.A. Murdock Signature Faucets

G.A. Murdock is proud to introduce its Signature Faucet line, manufactured by Opella Ltd.

Standard Features:

- Patented 1/4" Turn Ceramic Disc Technology
- Body Molded from Celcon®
- 3/8" Push-in, Quick Supply Tube Connection
- Stainless Steel Spout, Color Matched

Air Gap Features:

- 1/4" Product Water Line
- 1/4" Waste Water Line from RO waste to Faucet Air Gap
- 3/8" Waste Water Line from Faucet Air Gap to Drain



DDF Lead-Free Drinking Water Faucets

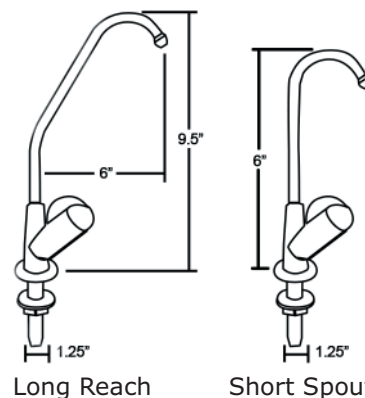


Item #	Color	Item #	Color
K0812020	Almond	K0814040	Chrome
K0810016	Biscuit	K0810280	Satin Nickel
K0810031	Euro White	K0810650	Black/Gold
K0810101	Polar White	K0810640	Black/Chrome
K0812828	Grey	K0810150	Polar White/Gold
K0810606	Black	K0810140	Polar White/Chrome
K0810641	Short Spout - Black/Chrome		

ADF Lead-Free Air Gap Facets

Item #	Color	Item #	Color
K0860016	Biscuit	K0860606	Black
K0860031	Euro White	K0860640	Black/Chrome
K0860101	Polar White	K0860650	Black/Gold
K0860140	Polar White/Chrome	K0862020	Almond
K0860150	Polar White/Gold	K0864040	Chrome

Faucet Dimensions



CDF Ceramic Disk Faucets



Item #	Color
K084110	Chrome
K085110	Chrome with LED
K086110	Chrome with Air Gap

G.A. Murdock, Inc.

Phone: 800-568-7565 or 605-256-9632
 Fax: 800-568-4301 or 605-256-9682
 Web: www.gamurdock.com
 Email: sales@gamurdock.com