

Mur-lok® PVC 90° Ball Valves

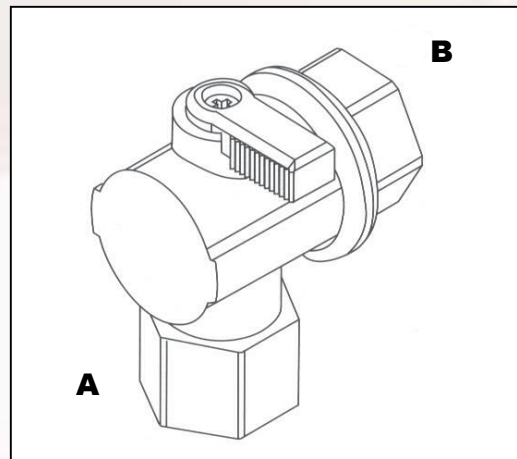


90° Ball Valve Features:

- Exclusive 1/4 turn lever with safety collar
- Standard materials: PVC with EPDM seals
- NSF approved wetted materials
- 0-150 p.s.i. pressure rating
- 33°-140°F (1°-60°C) temperature rating
- Designed for storage tanks, filter housings

Temperatures & Pressures

Pressure	0 - 150 p.s.i.
Temperature	33° - 140°F (1°-60° C)



Mur-lok 90° Ball Valves

Part Number	Side A	Side B
10210425	1/8" Male NPTF	1/4" Mur-lok®
10210625	1/8" Male NPTF	3/8" Mur-lok®
10400425*	1/4" Female NPTF	1/4" Mur-lok®
10400625*	1/4" Female NPTF	3/8" Mur-lok®
10400825	1/4" Female NPTF	1/2" Mur-lok®
10410405	1/4" Male NPTF	1/4" Female NPTF
10410425	1/4" Male NPTF	1/4" Mur-lok®
10410625	1/4" Male NPTF	3/8" Mur-lok®
10600625	3/8" Female NPTF	3/8" Mur-lok®
10610625	3/8" Male NPTF	3/8" Mur-lok®
10810425	1/2" Male NPTF	1/4" Mur-lok®
10810625	1/2" Male NPTF	3/8" Mur-lok®
11410625	3/4" Male NPTF	3/8" Mur-lok®
11410825	3/4" Male NPTF	1/2" Mur-lok®

*Tank Valve for a standard undersink storage tank.
Other configurations available, call (800) 568-7565 for more information.

G.A. Murdock, Inc.

Phone: 800-568-7565 or 605-256-9632
 Fax: 800-568-4301 or 605-256-9682
 Web: www.gamurdock.com
 Email: sales@gamurdock.com