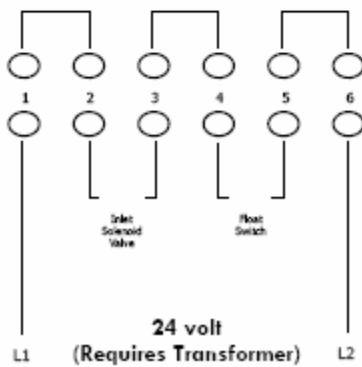
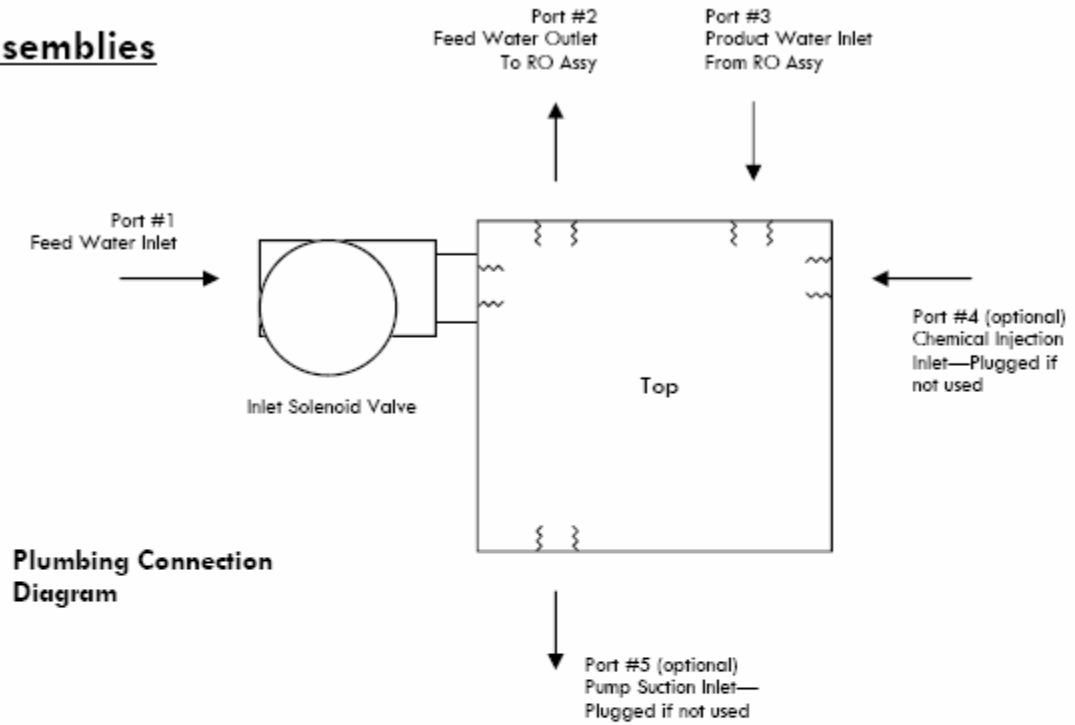


Part Number: 1271009

G.A. Murdock, Inc.
PO Box 465
1200 Division Ave S.
Madison, SD 57042

Phone: 800-568-7565 or 605-256-9632
Fax: 800-568-4301 or 605-256-9682
Email: sales@gamurdock.com
Web: www.gamurdock.com

Level Control Manifold for
Low Pressure Reverse Osmosis Assemblies



Wiring Diagrams

